

MOTOPLASTIC, S.A.

Molí de la sal, 1 - 08400 Granollers (Barcelona) SPAIN

Tel. 34 93 849 06 33 - Fax 34 93 849 09 88

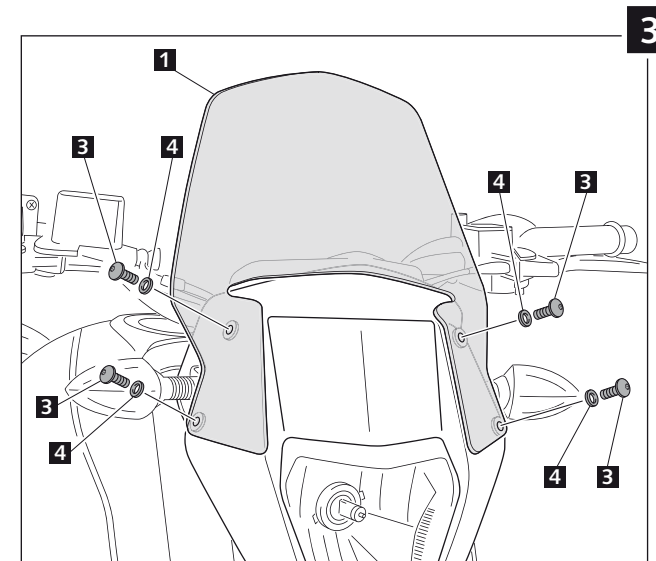
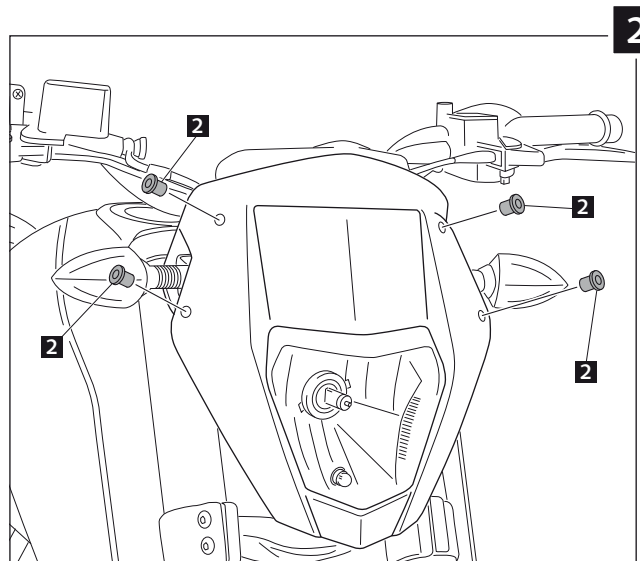
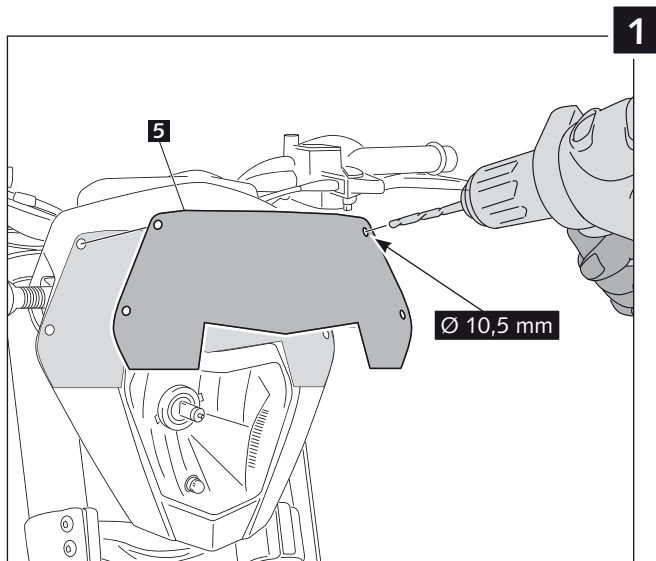
info@puig.tv - info@puigusa.com

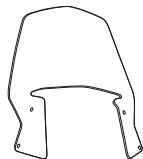




www.puig.tv - www.puigusa.com

INSTRUCCIONES DE MONTAJE - MOUNTING INSTRUCTIONS

CARENABRÍ ADAPTABLE A - WINDSHIELD ADAPTABLE TO KTM DUKE 690 '12 - '13

Ref.: 6009



| ID. | DESCRIPCIÓN | DESCRIPTION | QTY. |
|-----|---|----------------------------|------|
| 1 |  Pantalla | Screen | 1 |
| 2 |  Tuerca M5 silemblock | M5 nut well nut | 4 |
| 3 |  Tornillo allen M5x16 ISO 7380 | M5x16 ISO 7380 allen screw | 4 |
| 4 |  Arandela nylon Ø5XØ11x1 | Ø5XØ11x1 nylon washer | 4 |
| 5 |  Plantilla | Template | 1 |