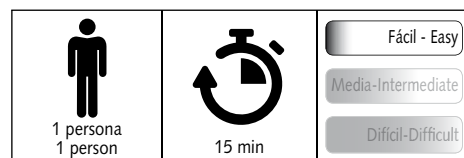
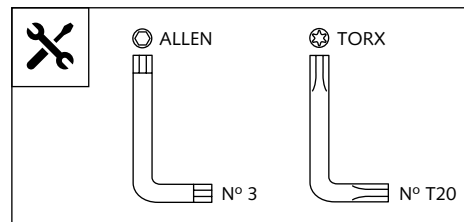
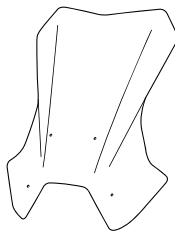




## CÚPULA ADAPTABLE A - SCREEN FOR - WINDSCHUTZSCREIBE FÜR KTM SUPERDUKE 1290 GT

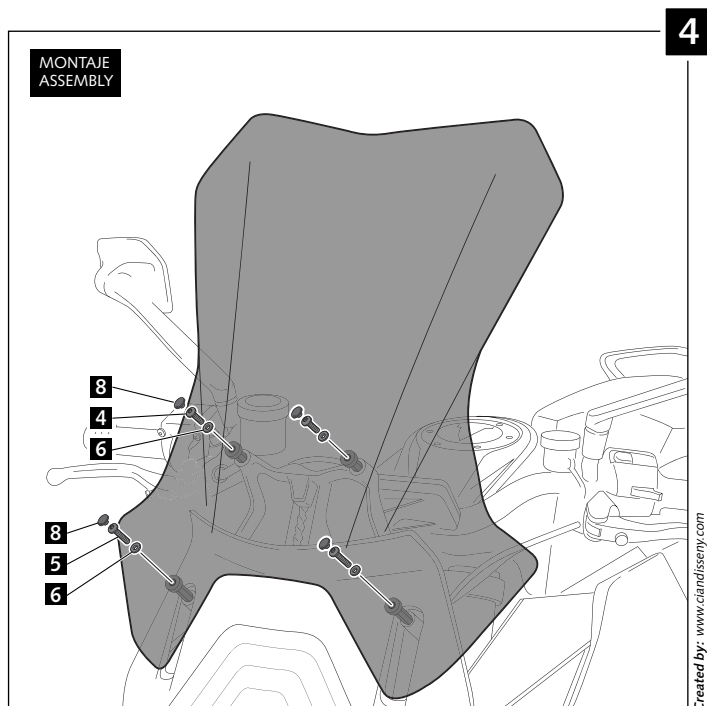
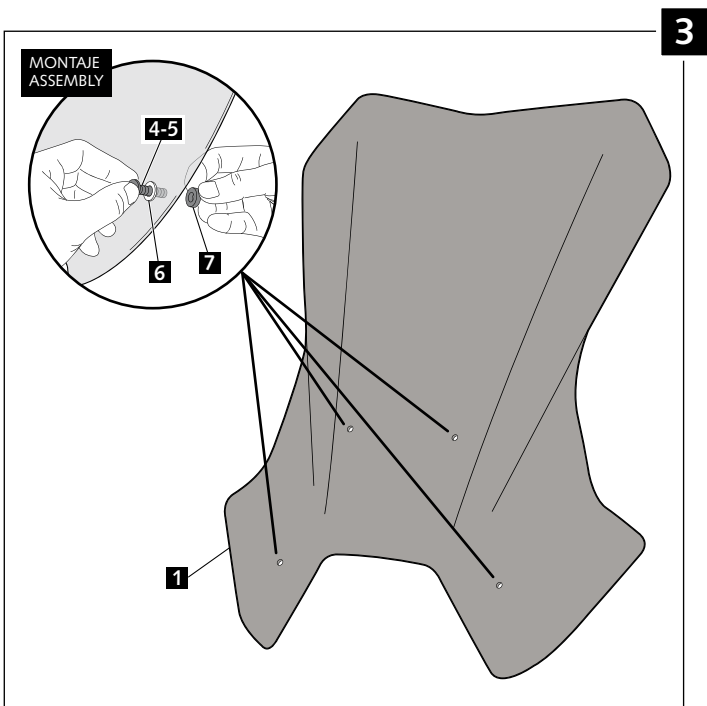
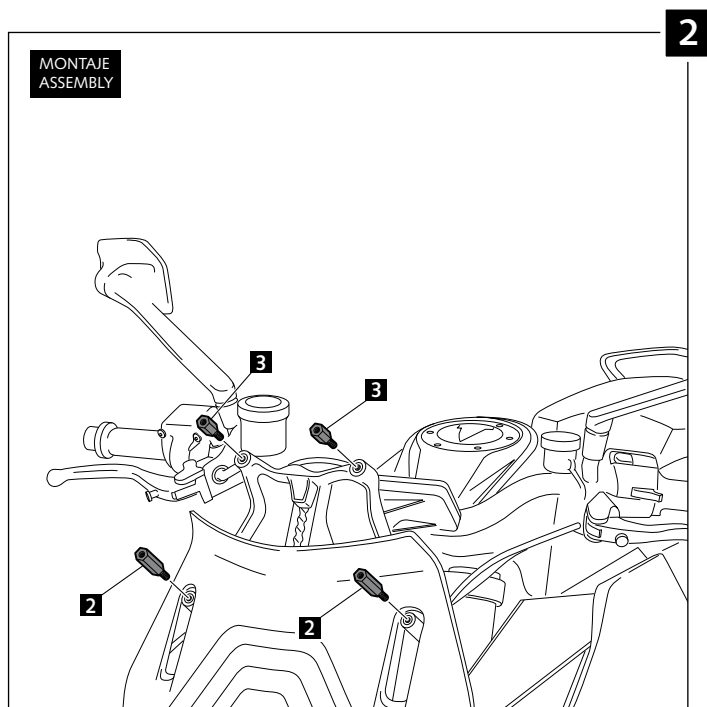
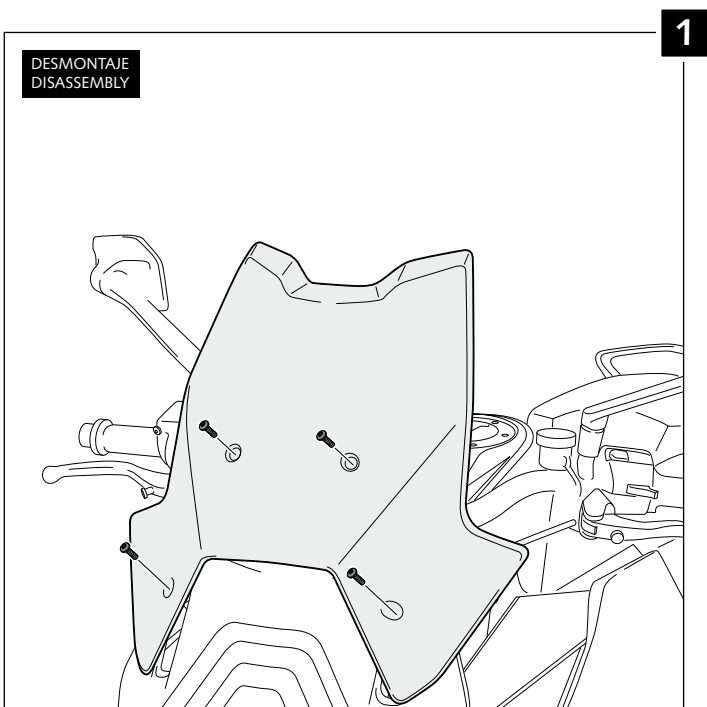
Ref.: 8913



ID.	PIEZA / PART	DESCRIPCIÓN	DESCRIPTION	QTY.
1		Cúpula Touring	Touring Screen	1
2		Tornillo Especial M5x8 + Rosca interior M5x17,5 + Longitud hexagonal 25mm	Special screw M5x8 + interior thread M5x17,5 + Hexagon length 25mm	2
3		Tornillo Especial M5x8 + Rosca interior M5x8 + Longitud hexagonal 10mm	Special screw M5x8 + interior thread M5x8 + Hexagon length 10mm	2
4		Tornillo Allen M5X11 ISO7380	M5X11 ISO 7380 Allen screw	2
5		Tornillo Allen M5X16 ISO7380	M5X16 ISO 7380 Allen screw	2
6		Arandela de nylon M5x1	M5x1 nylon washer	4
7		Arandela de goma Ø int. 4 x ext. Ø 14 x 4	Ø inner 4 x Ø outer 14 x 4 rubber washer	4
8		Tapón tornillo M5 ISO 7380	M5 ISO 7380 screw cap	4

CÚPULA ADAPTABLE A - SCREEN FOR - WINDSCHUTZSCREIBE FÜR  
**KTM SUPERDUKE 1290 GT**

INSTRUCCIONES DE MONTAJE - MOUNTING INSTRUCTIONS - MONTAGEANLEITUNG



# VISERA MULTIREGULABLE MULTI-ADJUSTABLE VISOR

CÚPULA TIPO  
 TYPE WINDSCREEN **A**



CÚPULA TIPO  
 TYPE WINDSCREEN **B**



CÚPULA TIPO  
 TYPE WINDSCREEN **C**



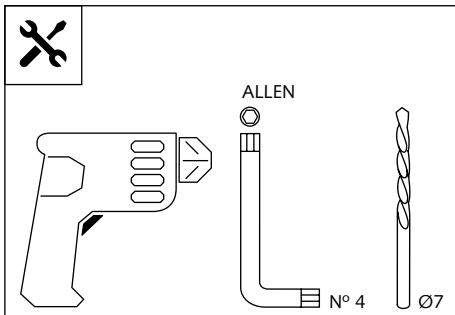
Ref.: 6007

Ref.: 5852

Ref.: 5853

Ahumado/Smoke

Transparente/Clear



1 persona  
 1 person



15 min

Fácil - Easy

Media-Intermediate

Difícil-Difficult

**Nota/Note:**

Si la visera se suministra con la cúpula Puig, no será necesario realizar los agujeros por que ya vienen incorporados.

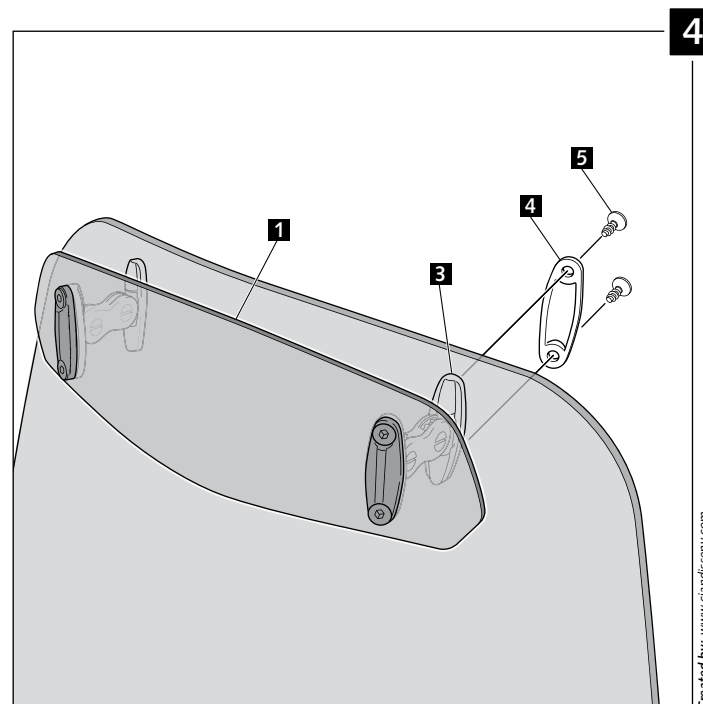
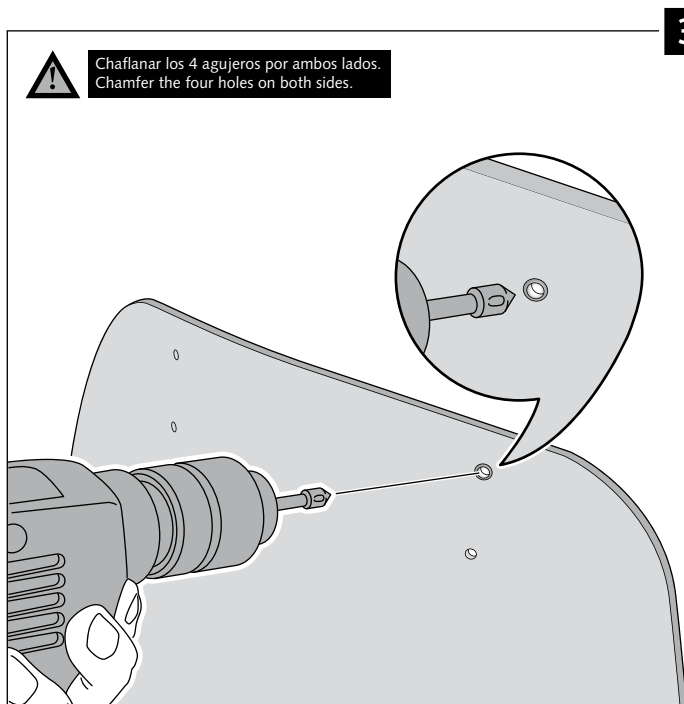
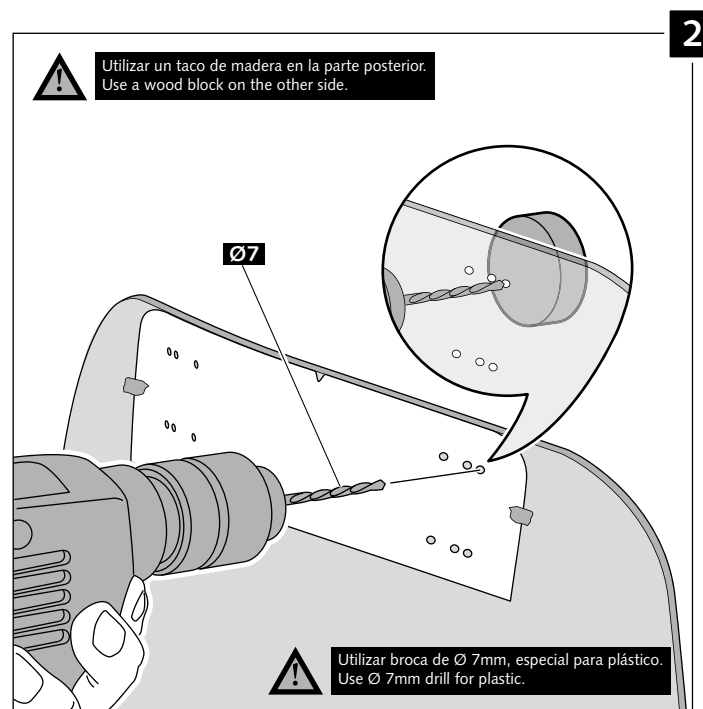
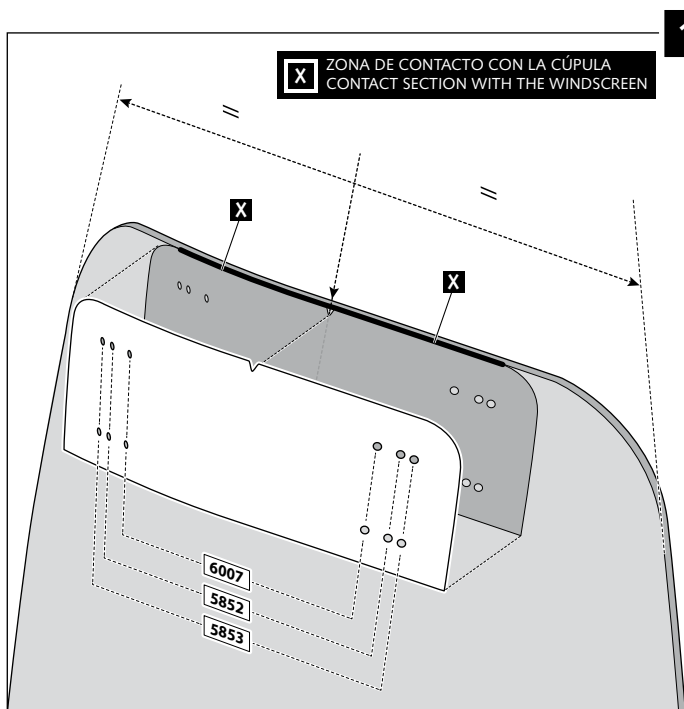
If the visor is supplied along with the windscreen, the windscreen will come factory-drilled so no drilling is necessary.

ID.	PIEZA / PART	DESCRIPCIÓN	DESCRIPTION	QTY.
1		Visera	Visor	1
2		Plantilla	Template	1
3		Mecanismo multiregulable	Multi-adjustable mechanism	2
4		Tapeta	Cap	4
5		Tornillo rosca plástico M6x12	Plastic thread fastener M6x12	8

# VISERA MULTIREGULABLE MULTI-ADJUSTABLE VISOR

INSTRUCCIONES DE MONTAJE - MOUNTING INSTRUCTIONS - MONTAGEANLEITUNG

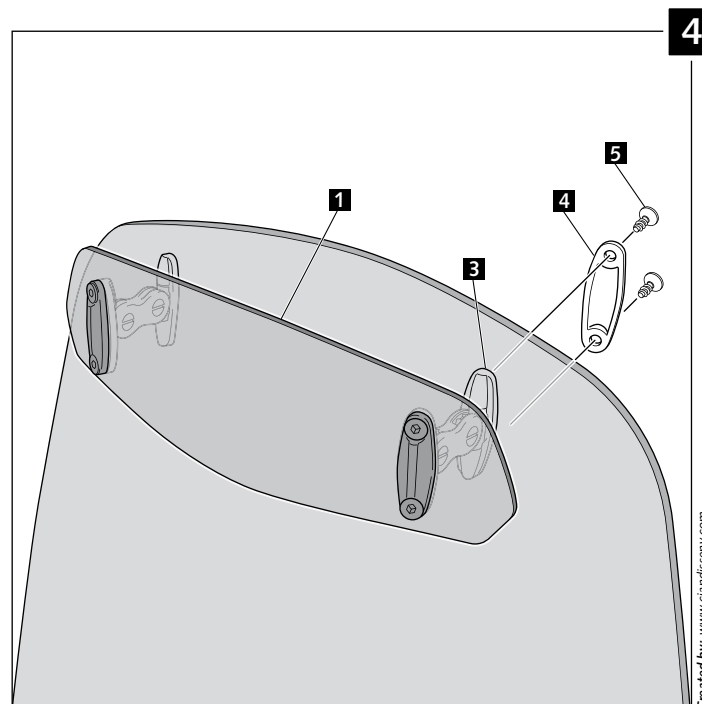
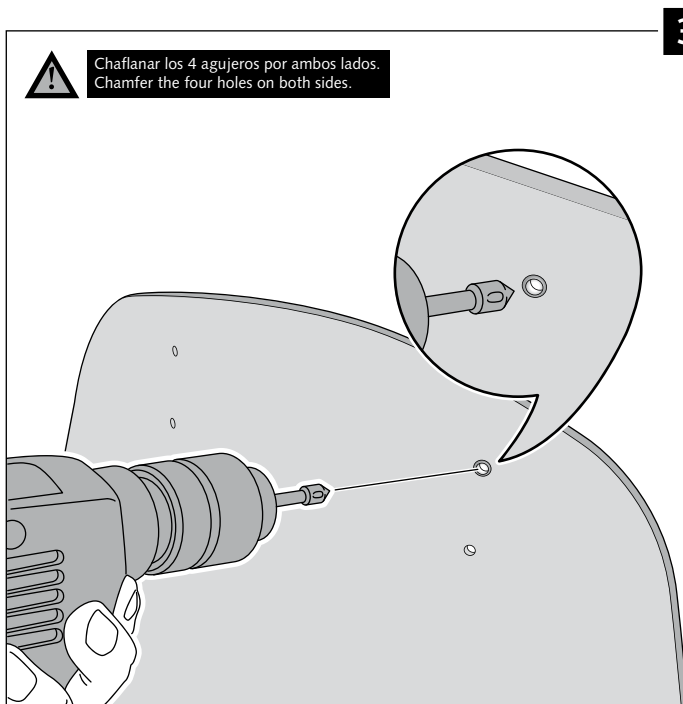
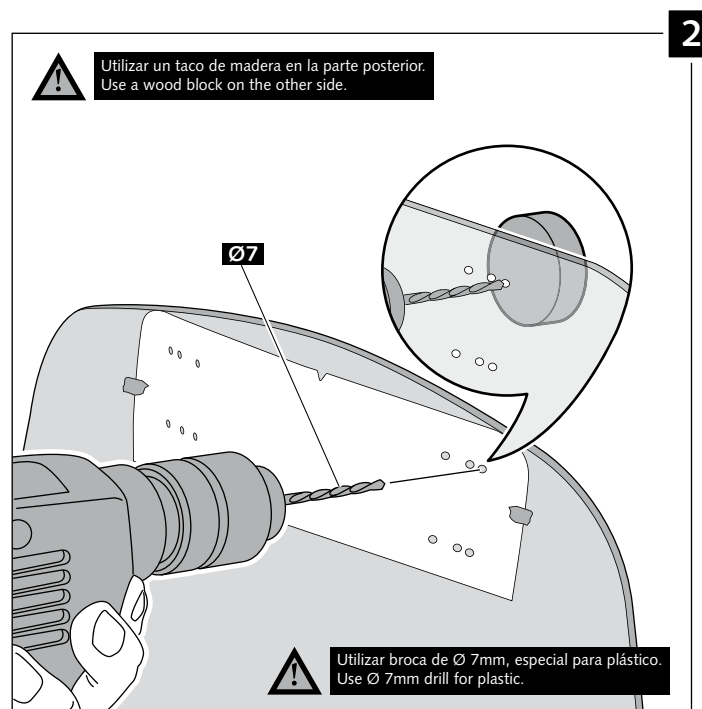
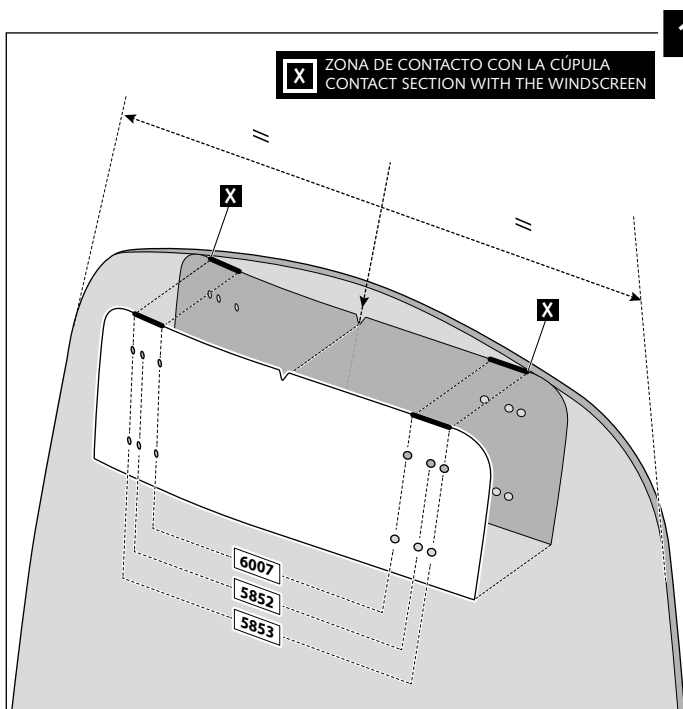
TIPO/TYPER A - TIPO/TYPER A - TIPO/TYPER A



# VISERA MULTIREGULABLE MULTI-ADJUSTABLE VISOR

INSTRUCCIONES DE MONTAJE - MOUNTING INSTRUCTIONS - MONTAGEANLEITUNG

TIPO/TYPE B - TIPO/TYPE B - TIPO/TYPE B



# VISERA MULTIREGULABLE MULTI-ADJUSTABLE VISOR

INSTRUCCIONES DE MONTAJE - MOUNTING INSTRUCTIONS - MONTAGEANLEITUNG

TIPO/TYPE C - TIPO/TYPE C - TIPO/TYPE C

